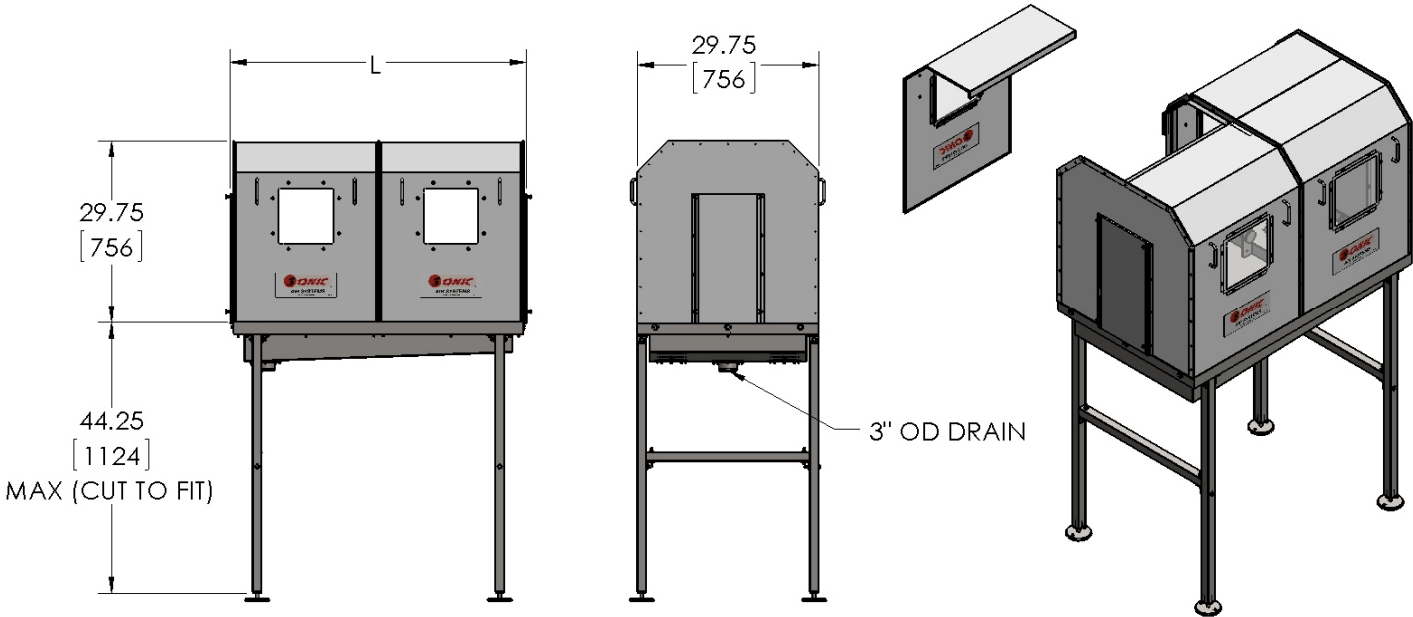
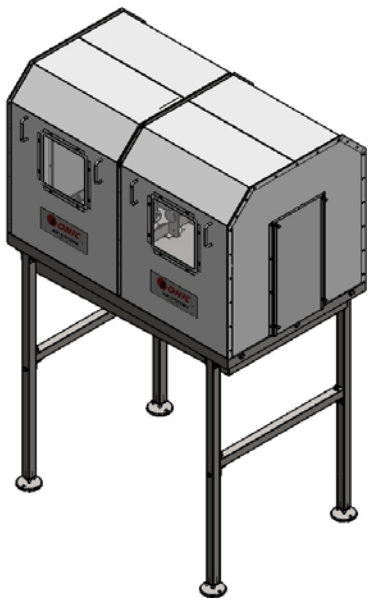




Product Specification Sheet

SMART-MODULAR AIR KNIFE TUNNEL

For Noise and Moisture Containment and Collection



Materials: Stainless Steel Frame and Enclosure
Transparent Polycarbonate Viewing Windows

- 48" and 24" long Modules Bolt in Series for Any Length of Drying System
• Quick Removable Access Panels With Polycarbonate Viewing Windows
• Access Panels Conveniently Hang on Drip Tray during Temporary Removal
• Self Supporting – No Bolting to Conveyor Required
• Centering Screws Clamp to Conveyor
• Polypropylene Tunnel Entrance and Exit Inserts are Interchangeable and Cut to Application
• Swivel Leveling Feet Adjust for Uneven Surfaces and can be Attached to Floor

Table with 3 columns: Part No., Length: L, Weight, and two columns for 48" and 24" Nominal Length specifications.