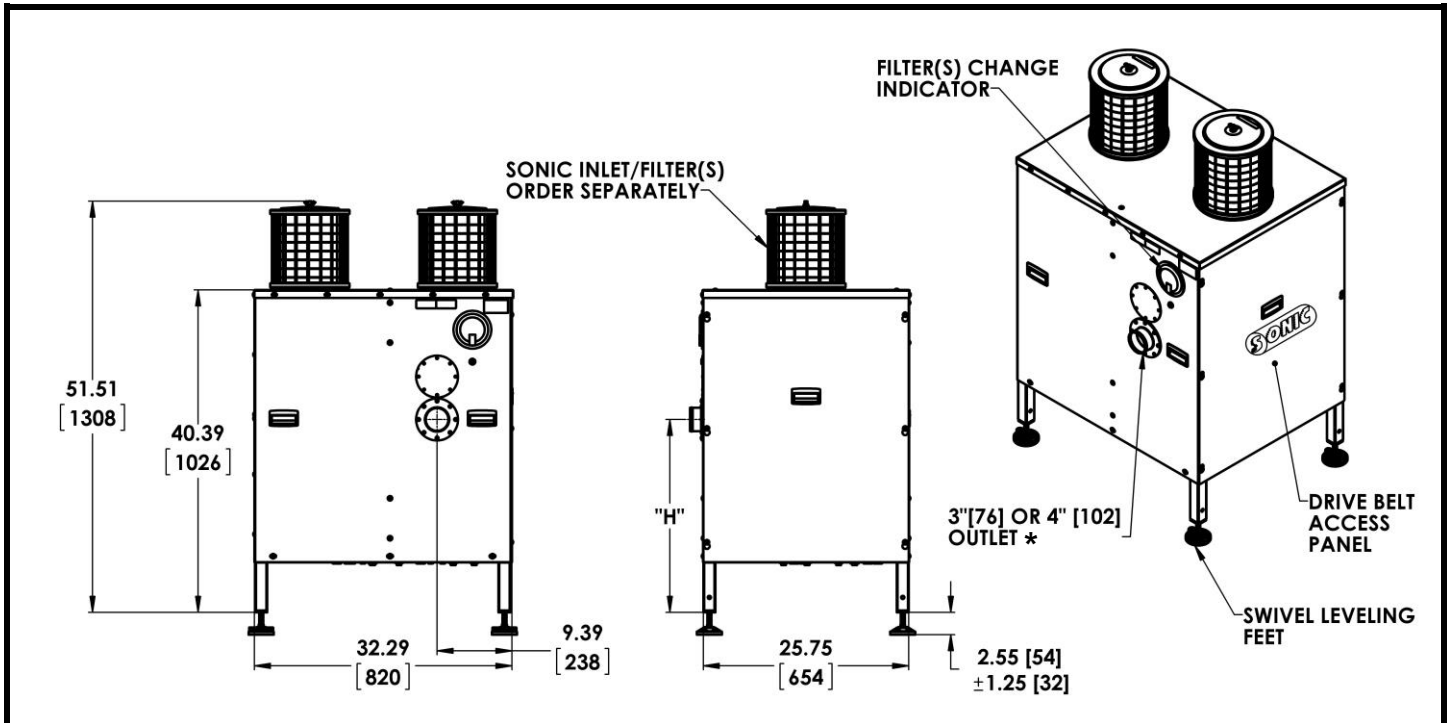
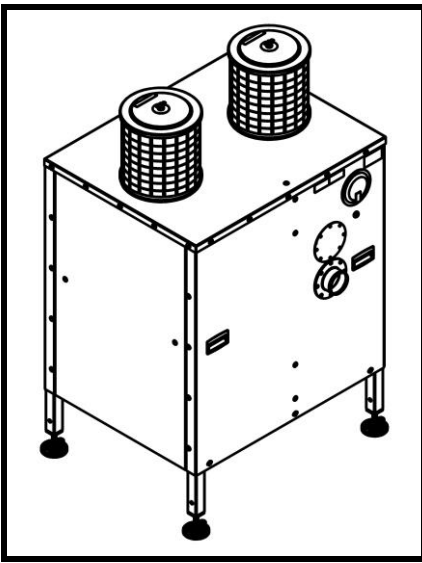




Product Specification Sheet

STAINLESS STEEL BLOWER ENCLOSURE SONIC 70-150



Dimensions in Inches, [] are in millimeters

Sonic Part Number	15150-XXX	
Description	Stainless Steel Enclosure. Blower Models: Sonic 70, 85, 100 & 150	
Operating Environment	Indoors 10°F to 110°F (-12°C to 43°C)	
Air Filter	Element Polyester 5 Micron, P/N-10317	Element Paper 2 Micron, P/N-10316
Sound Level	≥ 80dB (Noise level below <80dB consult Sonic)	
Material	300 Stainless Steel	
Weight (Approx.)	145 lbs/ft (215.78 g/mm) (W/O Blower and Filter(s))	
*	Sonic 70 & 85 -3 in (76 mm)	H= 24.17in (614mm)
	Sonic 85 4 in (102 mm) for 15HP Motor	H= 29.54in (750mm)
	Sonic 100 & 150-Outlet- 4 in (102 mm) Standard	H= 29.54in (750mm)