

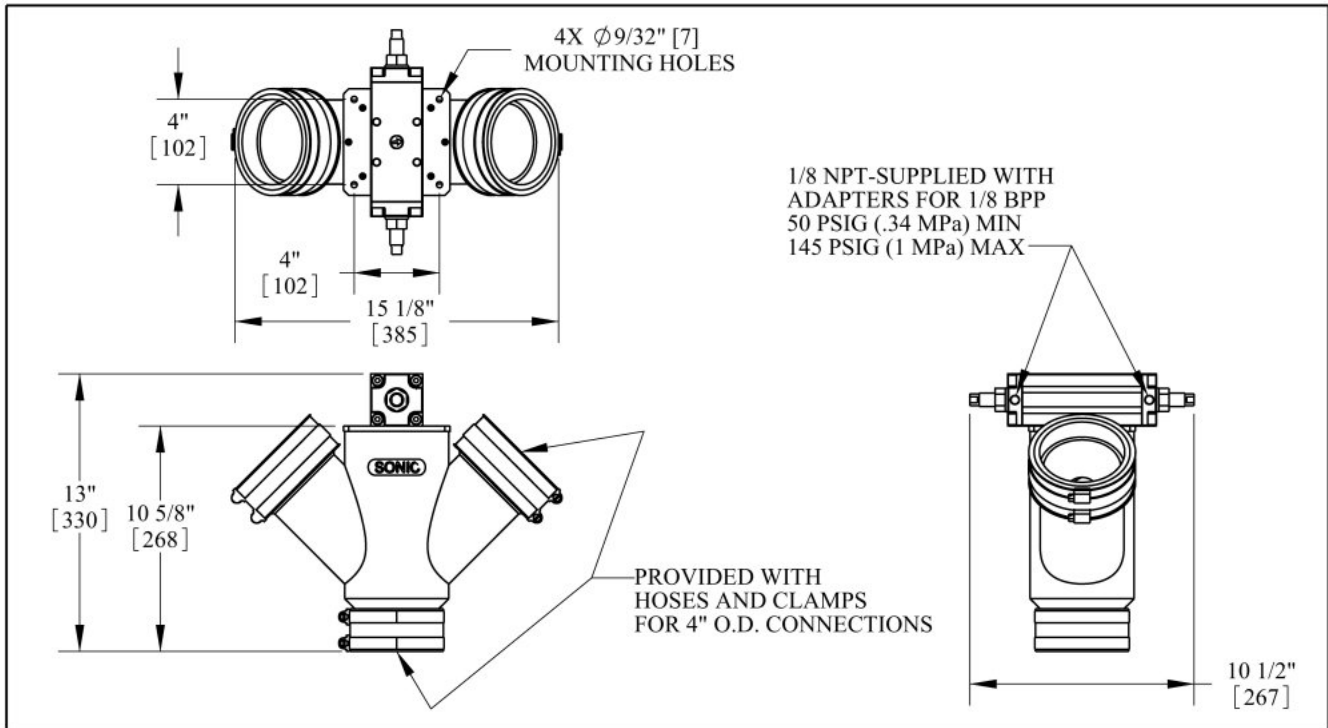


Engineered Blowers & Air Knife Solutions

[www.sonicairsystems.com](http://www.sonicairsystems.com)

## Valve – 4” Y-Verter

### Product Spec Sheet



<b>Description</b>	Valve – 4” Y-Verter
<b>Sonic Part No.</b>	14598
<b>Operating Temperature Range</b>	35°F (2°C) to 250°F (121°C)
<b>Maximum Y-Verter Valve Air Pressure</b>	10 PSIG (0.7 Bar)
<b>Maximum Y-Verter Valve Vacuum</b>	12 Hg (0.4 Bar)
<b>Diverter Response Time</b>	1 Second
<b>External &amp; Air Stream Operating Environments</b>	Water Saturated Air, Wash Down, Steam, Low Ph Acids, Dust, Dirt & oils
<b>Material</b>	Cast Aluminum
<b>Approximate Weight</b>	16 lbs (7.25 kg)
<b>Compressed Air Consumption</b>	1.31 SCF/Cycle @ 50 PSIG

Rev 12/04/09