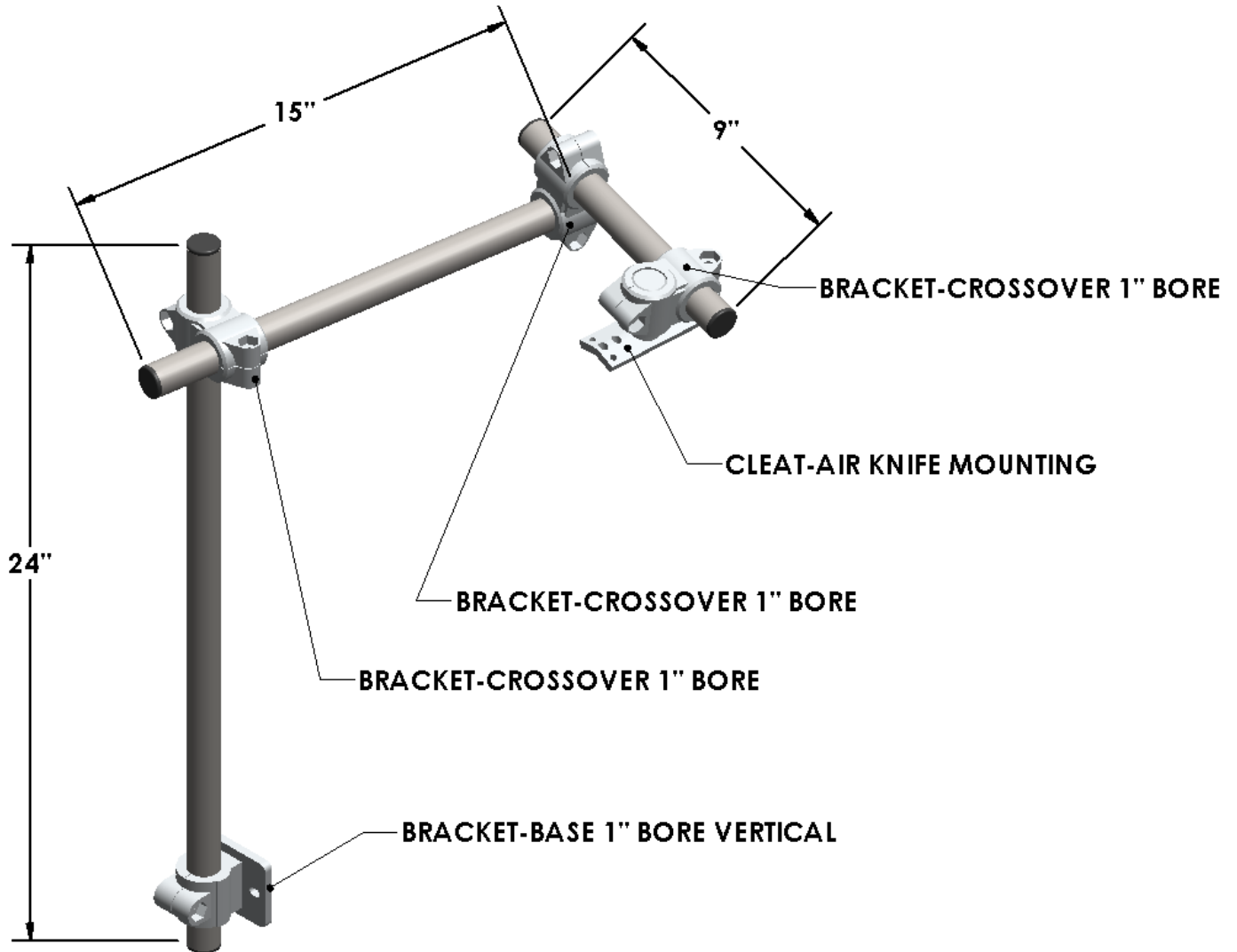


Product Specification Sheet

Sonic Modular Air Knife Bracket



Sonic P/N	15405	Bracket-SONIC Modular 2" or 3" XE Air Knife
	15496	Bracket-SONIC Modular 3" Rotary Air Knife/Manifold Horizontal Mounting
	15497	Bracket-SONIC Modular 3" Nozzle & 3" Rotary Air Knife/Manifold Vertical Mounting
Material	Brackets	Nickel Plated Aluminum, Captive SS hardware requires only a single 1/4" Allen key for the socket head cap screws.
	Cleat	Nickel Plated Aluminum, (4) Self-drill/self-tap SS screws-Phillips head
	Tubing	1" Diameter Stainless Steel
Optional	Quick Release Handles, Metric Hardware	