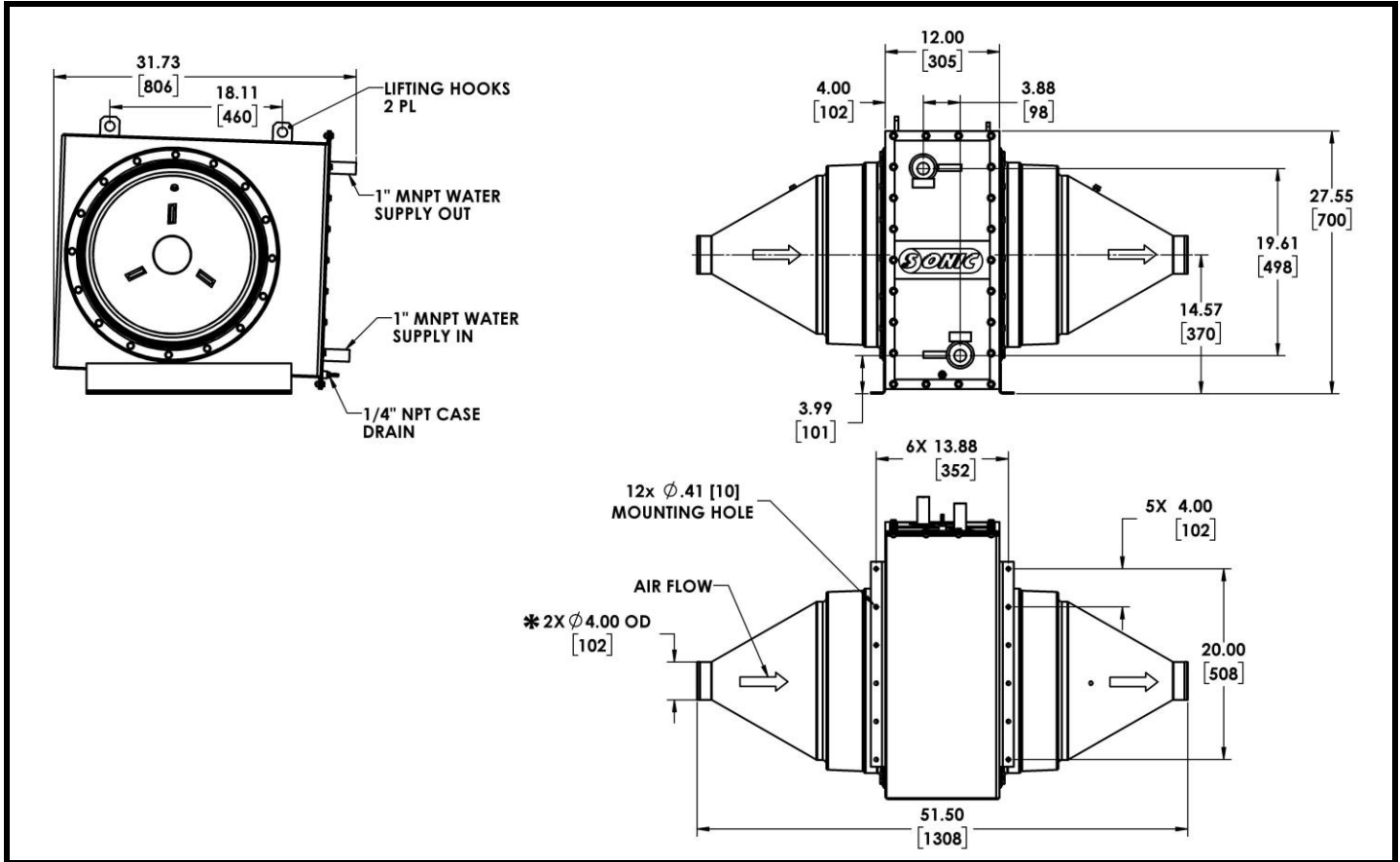
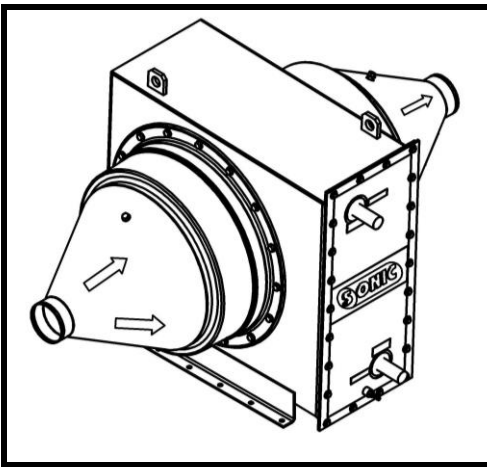




Product Specification Sheet

# SONIC COOL-AIR™ (IN-LINE BLOWER AFTER COOLER)



Dimensions in Inches, [ ] are in millimeters

<b>Sonic Part Number</b>	15559
<b>Description</b>	Sonic COOL-AIR™ In-Line Air Cooler
<b>Max. Air Flow + Pressure</b>	1000 CFM (28m <sup>3</sup> /min) 10 PSI (69 KPa)
<b>Air Pressure Drop @ 1000 CFM</b>	2in H <sub>2</sub> O (51 mm H <sub>2</sub> O)
<b>Discharge Air Temp.</b>	Approximated 10 to 15°F (-12 to -9°C) above chilled/ cooling tower water temperature
<b>Water Flow + Pressure</b>	Consult Sonic Air Systems by Application
<b>Coil Construction</b>	Aluminum Fins / Copper Tube, SS Pipe w/ 1" MNPT Pipe Threads, Galvanized Steel Frame
<b>Housing Construction</b>	300 Series SS Case & Hard Anodized Aluminum Cone
<b>Weight (Approx.)</b>	219 lbs (99 kg)
<b>Optional</b>	Insulation, Air Temp. Gauge, Flanged Connections

\*Inlet +Outlet Diameters of 6" Available as required.