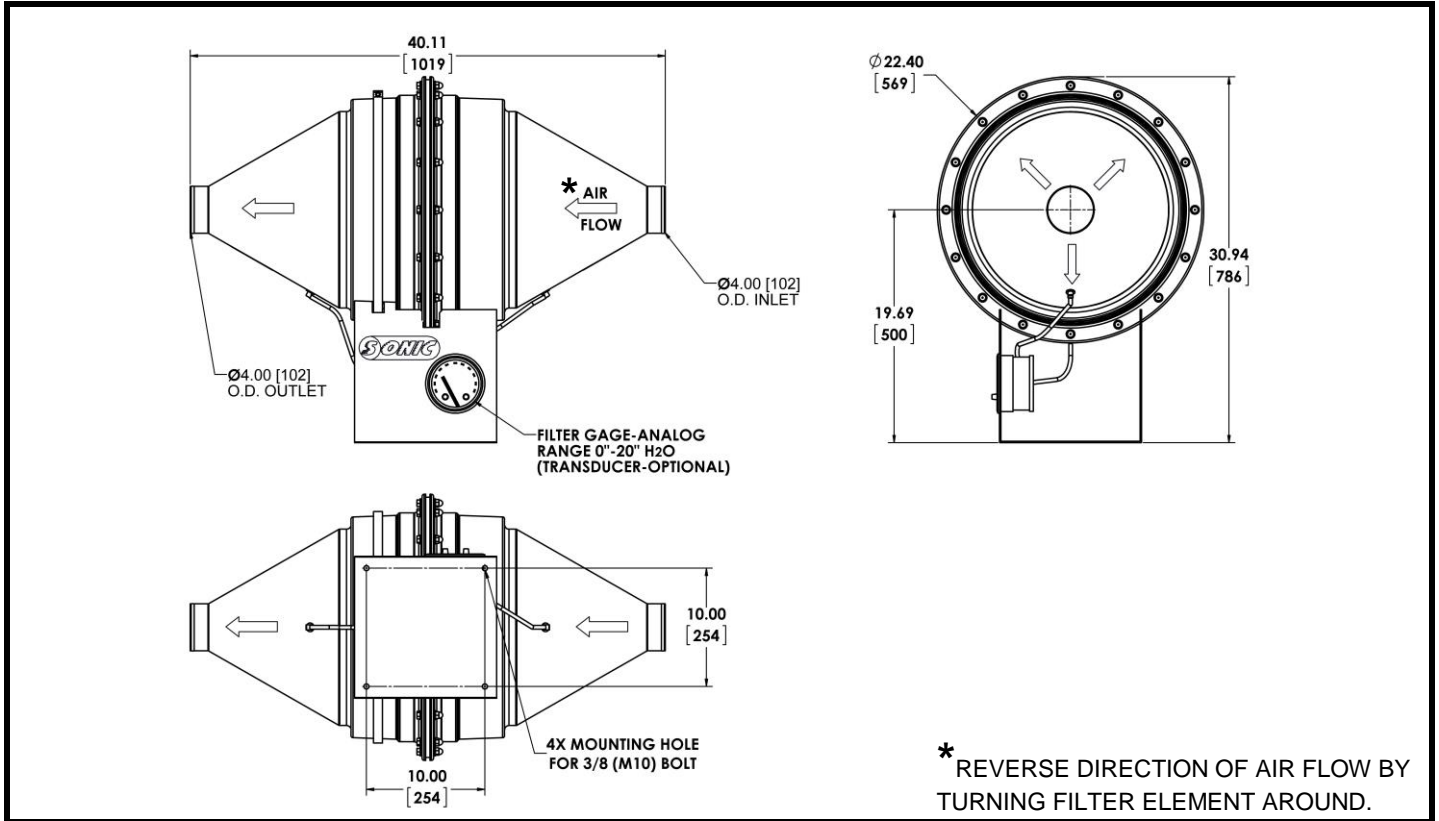
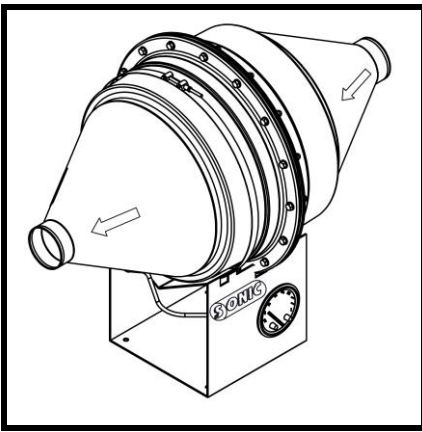




Product Specification Sheet

HEPA IN- LINE FILTERS
99.97% @ 0.3 MICRON



* REVERSE DIRECTION OF AIR FLOW BY TURNING FILTER ELEMENT AROUND.

Dimensions in Inches, [] are in millimeters

Description	Air Filter- HEPA 140° F Max. Temp.	Air Filter- VT Blower HEPA 180° F Max. Temp.
Filter Properties	1/2" x 18" Dia. Pre-Filter Pad 0.3 micron Element	1/2" x 18" Dia. Pre-Filter Pad 0.3 micron Element
Replacement Element Kit P/N	12148	15714
Maximum Flow Rate	1,000 CFM (28 CMM)	700 CFM (20 CMM)
Maximum Blower Pressure	4.0 psi (27.6 kpa)	4.0 psi (27.6 kpa)
Maximum Air Temperature	140° F (60° C)	180° F (82° C)
Material-Housing + Base	6061- Aluminum + 11 Ga. CRS	6061- Aluminum + 11 Ga. CRS
Finish - Options	1. Hard Anodize / Powder Coat Base 2. Nickel Plated/ Stainless Steel Base	1. Hard Anodize / Powder Coat Base 2. Nickel Plated/ Stainless Steel Base
Weight (Approx.)	46 lbs (21 Kg)	50 lbs (23 Kg)
Sonic Part Number	Call Sonic Air Systems	Call Sonic Air Systems